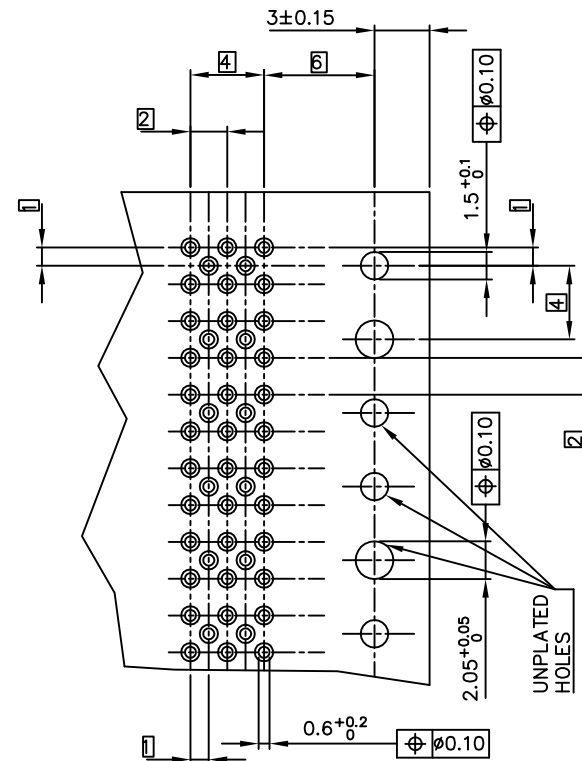
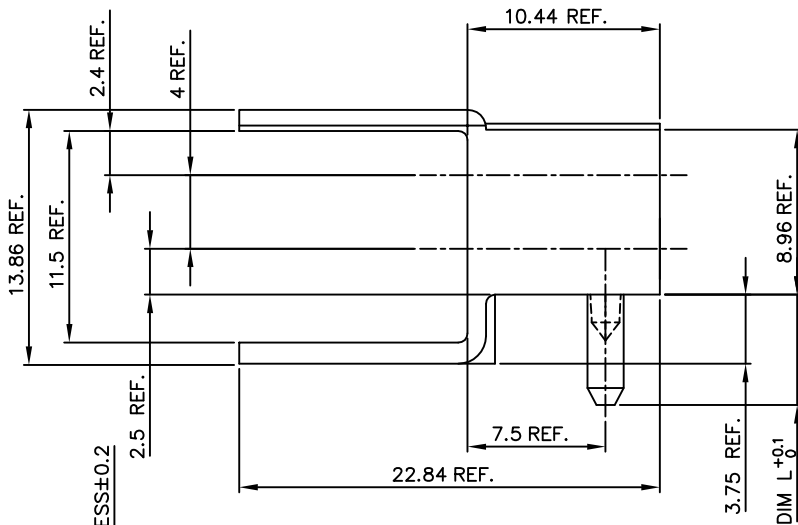
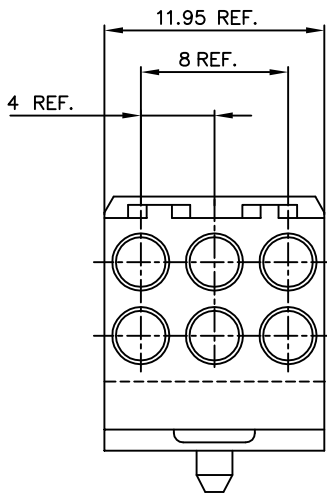
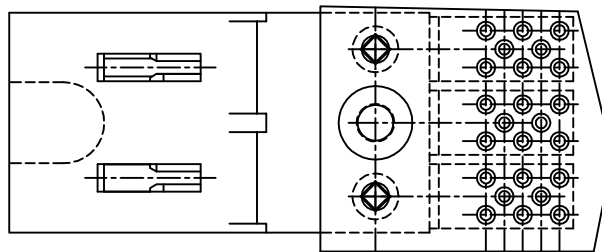
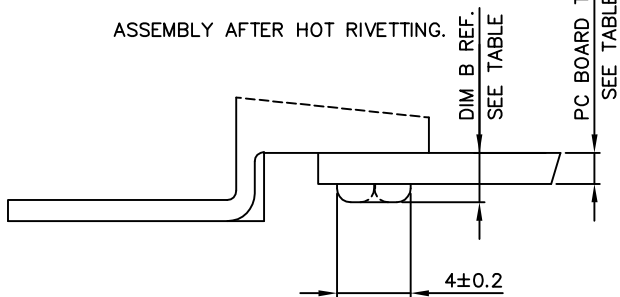


PRODUCT NR:	PCB THICKNESS	DIM B	DIM L
88982-101LF	1.6 & 2.4	3.08	5.20



ASSEMBLY AFTER HOT RIVETTING.



NOTE:

- MATERIAL:
LIQUID CRYSTAL POLYMER 30% GLASS,
FLAME RETARDANT ACC. TO UL 94-V0
COLOR NATURAL
- THIS PRODUCT MEETS EUROPEAN UNION DIRECTIVES AND OTHER
COUNTRY REGULATIONS AS DESCRIBED IN GS-22-008
- THE HOUSING WILL WITHSTAND EXPOSURE TO 260DEGREE PEAK
TEMPERATURE FOR 10 SECONDS IN A WAVE SOLDER APPLICATION.

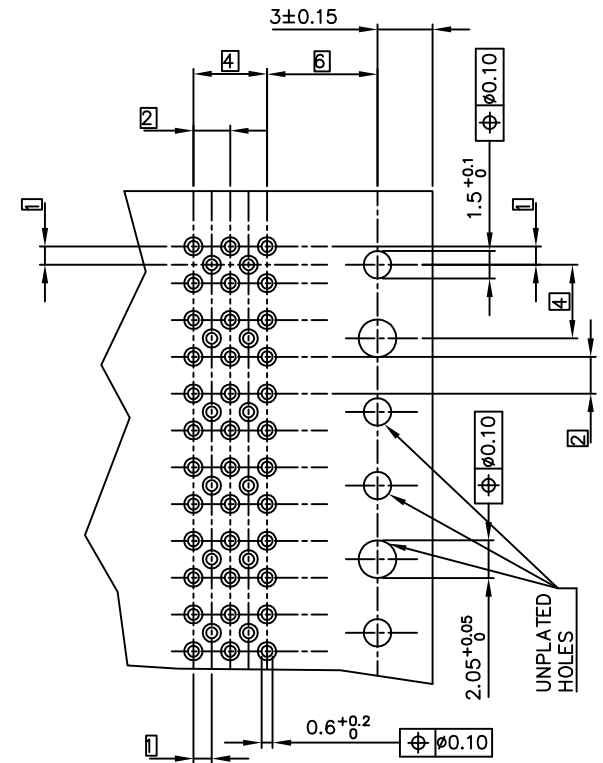
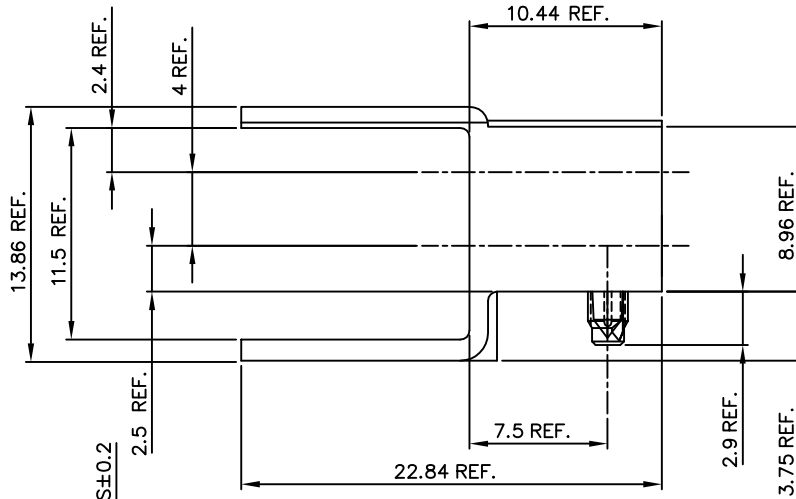
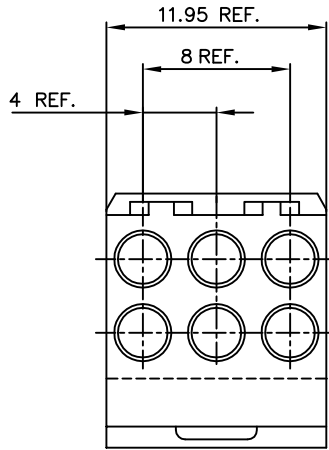
mat'l. code	SEE NOTE 1		tolerances unless otherwise specified		CUSTOMER COPY	ELECTRONICS	
ltr	ecm no	dr	date	linear	projection	R.A. HEADER	
H	005-048	CLU	051115		mm	MINI COAX	
C	H20755	DAN	921124	angles		product form	code
D	H40355	DOB	940617	dr	D Andrews	920424	213
E	H50047	RVI	950119	engr	E. Fejen	940616	sheet
F	H70267	DOB	970416	chr	P Schaik	920424	1 of 2
G	H90477	DOB	990816	app	H. Cooljmans	950119	
sheet	revision	H	H				
Indx	sheet	1	2				

PDM: Rev.H

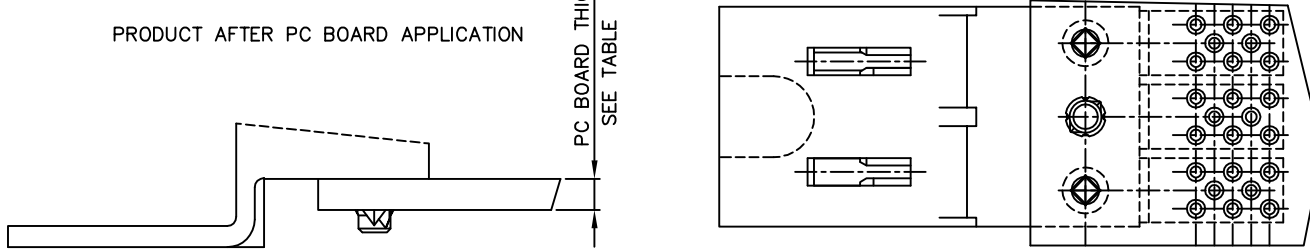
STATUS: Released

Printed: Nov 27, 2007

PRODUCT NUMBER 88982-102LF



PRODUCT AFTER PC BOARD APPLICATION



RECOMMENDED HOLE PATTERN, COMPONENT SIDE.

NOTE:

- 1) MATERIAL:
LIQUID CRYSTAL POLYMER 30% GLASS,
FLAME RETARDANT ACC. TO UL 94-V0
COLOR NATURAL
- 2) THIS PRODUCT MEETS EUROPEAN UNION DIRECTIVES AND OTHER
COUNTRY REGULATIONS AS DESCRIBED IN GS-22-008
- 3) THE HOUSING WILL WITHSTAND EXPOSURE TO 260DEGREE PEAK
TEMPERATURE FOR 10 SECONDS IN A WAVE SOLDER APPLICATION.

mat'l. code SEE NOTE 1		tolerances unless otherwise specified		CUSTOMER COPY		ELECTRONICS www.fciconnect.com	
ltr	ecm no	dr	date	linear	projection	title R.A. HEADER	
H				angles		MINI COAX PRESS PEG	
		dr	D. de Bill 940617		mm	product family	code
		eng	E. Feijen 940617			CENTRAL (tm)	213
		chr	E. Feijen 940617		scale	size	sheet
		app	H. Cozijmans 950119		5:1	dwg no	2 of-
sheet	revision					88982	
Indx	sheet						

PDM: Rev.H

STATUS: Released

Printed: Nov 27, 2007